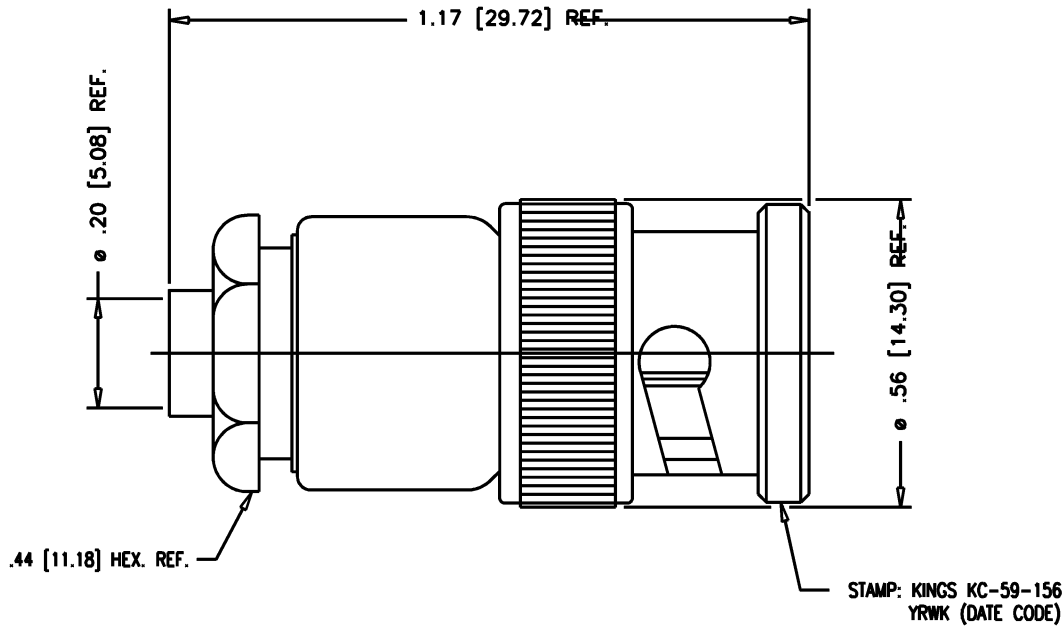


DASH NO.	M CODE	MADE FROM
----------	--------	-----------

GSD

KC-59-156

REVISIONS	
ISSUE	CHANGES
5	CN 39514 C JPK 07/06/06
6	CN 40031 C PMC 08/14/07



NOTES:

- FOR USE WITH RG-58 AND 141 CABLE GROUP.
- FOR CABLING INSTRUCTIONS SEE CP-201A.
- FOR CRIMPING USE DIE KTH-2001.
- INTERFACE PER MIL-STD-348, FIG. 301-1 (AS APPLICABLE).
- MATERIALS:
 - INSULATORS: TEFLON, ASTM-D4894
 - GASKETS: SILICONE RUBBER, A-A-59588
 - SPRING WASHER:
 - CONTACT:
 - K-GRIP SLEEVE: COMMERCIAL BRONZE: ASTM-B135
 - ALL OTHER METAL PARTS: BRASS, ASTM-B16
- FINISHES:
 - CONTACT: GOLD PLATE, ASTM-B488
 - ALL OTHER METAL PARTS: NICKEL PLATE, SAE-SMS-QQ-N-290
- ELECTRICAL CHARACTERISTICS:
 - NOMINAL IMPEDANCE: 50 OHMS
 - VOLTAGE RATING: 500 VRMS
 - FREQUENCY RANGE: DC TO 4 GHz

KC-59-156 SD

SCALE 4 : 1	
APPROX SURFACE AREA	N/A
USED ON	
REF:	
PLUG, BNC	
DRAWN JPK	DATE 07/06/06
DESIGN JCA	DATE 09/11/92
APPR.	DATE

A Winchester Electronics Company
ROCK HILL, SOUTH CAROLINA 29730

GSD

KC-59-156